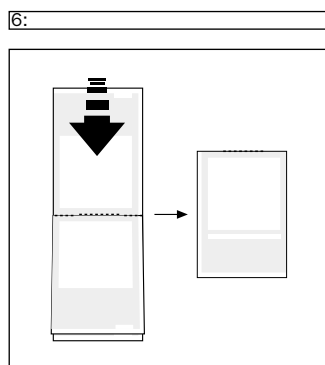
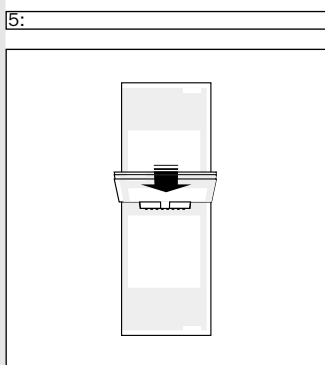
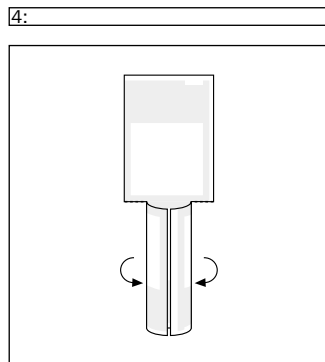
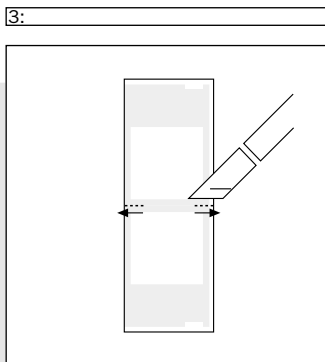
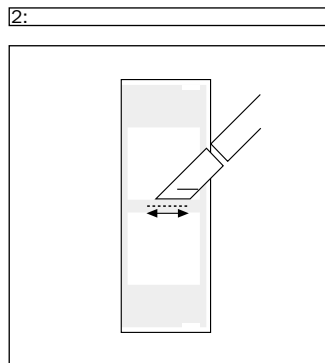
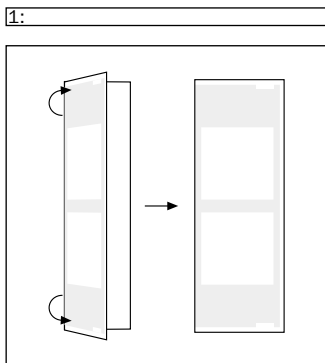


Construction



- 1: First, fold each A4 sheet in half parallel along the vertical axis.
- 2: Using a craft knife or scalpel, cut a horizontal slot along the centre dotted line of the first A4 page.
- 3: Then cut along the dotted lines on all other pages. Make sure to cut to the very edges of the paper.
- 4: Stack the folded sheets except for the first page in ascending order with the even numbers at the top. Curl the bottom half of the stack.
- 5: Thread the curled pages through the centre slot of the first A4 page.
- 6: When all the pages have been threaded through, check the pagination. Finally, fold the booklets in half along the horizontal axis.